

KSK - PLASTIC FLOWMETER AND SWITCH



Benefits and Features

- Accuracy: $\pm 4\%$ of Full Scale
- Shock and Corrosion Proof
- Maximum Pressure 145 PSIG
- All Plastic Wetted Parts for Excellent Resistance to Acids and Alkaline Solutions
- Compact Design

General Description

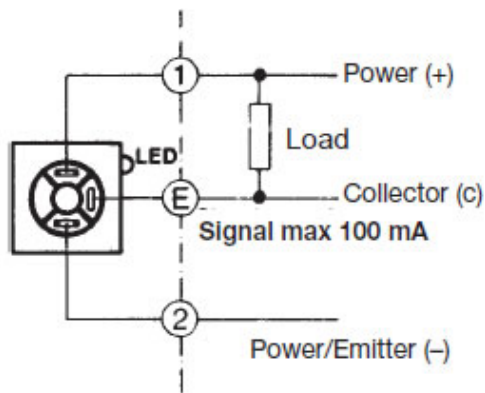
The KSK plastic flowmeters/ flow switches operate on the basis of the well known variable area principle. The medium flows upward through a conically widening plastic measuring tube. The float is lifted by the flowing medium and indicates the instantaneous flow rate on the scale attached to the flowmeter. The KSK series is all plastic with bodies made of nylon Polysulfone or PVDF to handle aggressive media.

For the control of flow setpoints, a bistable switch can be provided for the instrument. Reed contacts or transistor switches are available and can be used to monitor and alarm on an upset flow condition. The transistor switch has an LED on the contact housing to indicate switching status.

Measuring Scales

Measuring scales are available for water and air. Compressed air scales are available in SCFM, calibrated for direct readings at operating pressures from zero to 145 PSIG. The compressed air scale table shows the available ranges and calibration pressures for each meter size.

Transistor Switch



KSK - PLASTIC FLOWMETER AND SWITCH

Specifications

Accuracy: ±4% full scale
Flow Media: air or water and other liquids
Mounting: vertical, flow up
Max. Media Temperature:
PVDF: 250°F
Trogamid: 140°F
Polysulfone: 140°F w/ PVC Fittings 180°F w/ Polypro, brass & SS fittings
Max. Pressure: 145 PSIG
Materials
Measuring Tube: Polysulfone, Trogamid-T or PVDF
Float: PVDF
O-Rings: EPDM
Connection with Capnut: per ordering code

Switch Specifications
NPN Transistor: Hall-Sensor, bistable NPN open collector
Operating Voltage: 9-24 VDC
Operating Current: Max.100 mA
Ambient Temp: 130°F max.
Hysteresis: <0.24₁
Output Signal: LED lights w/ flow above setpoint
Reed Switch: SPST N/O or N/C based on order code
Electrical Ratings: Max. 130 VAC 10 W / 10 VA, 0.5A
Ambient Temp: Max. 130°F
Protection: NEMA 4X/IP65

Ordering Information

Compressed Air Scale Ranges @ Specified Outlet Pressure (NOTE: Air units available only with Polysulfone (KSK-2...) measuring tube)

Model	SCFM (0 PSIG)	SCFM (15 PSIG)	SCFM (30 PSIG)	SCFM (45 PSIG)	SCFM (60 PSIG)	SCFM (75 PSIG)	SCFM (85 PSIG)	SCFM (100 PSIG)	SCFM (115 PSIG)	SCFM (130 PSIG)	SCFM (145 PSIG)
KSK-...15	0.06-0.27	0.12-0.35	0.12-0.44	0.12-0.5	0.18-0.6	0.18-0.65	0.18-0.7	0.24-0.77	0.24-0.8	0.24-0.83	0.24-0.9
KSK-...25	0.12-0.65	0.15-0.9	0.18-1.1	0.18-1.3	0.24-1.5	0.30-1.6	0.30-1.7	0.30-1.8	0.35-2.0	0.35-2.1	0.60-2.1
KSK-...50	0.24-1.2	0.30-1.7	0.35-2.0	0.40-2.4	0.47-2.7	0.53-3.0	0.60-3.2	0.60-3.4	0.60-3.5	0.75-3.8	0.90-4.1
KSK-.80	0.30-1.8	0.40-2.5	0.40-3.3	0.60-3.8	0.60-3.9	0.60-4.0	1.0-5.0	0.90-5.3	0.90-5.6	0.90-6.0	0.90-6.2
KSK-.100	0.40-2.1	0.60-3.0	0.70-3.5	0.90-4.1	1.0-4.7	1.2-5.3	1.2-5.6	1.2-6.0	1.5-6.2	1.5-6.5	1.5-7.0
KSK-.150	0.60-3.5	0.90-4.4	1.2-5.3	1.2-7.0	1.5-7.7	1.5-8.3	1.8-8.9	1.8-9.4	1.8-10.0	2.1-10.1	2.1-11.5
KSK-.200	0.90-4.4	1.5-6.0	1.8-7.7	2.1-8.6	2.4-10.0	2.7-11.2	3.0-11.8	3.0-13.3	3.5-13.6	3.5-14.2	3.5-14.8
KSK-.300	0.60-6.0	0.90-8.3	1.2-10.0	1.5-11.8	1.8-13.6	1.8-14.2	2.1-14.8	2.1-16.2	2.1-17.7	2.4-18.3	2.4-18.9
KSK-.500	1.2-10.0	1.8-14.2	2.4-16.5	2.4-19.0	3.0-21.2	3.0-23.6	3.5-24.8	3.5-26.6	3.5-28.3	4.1-30.0	4.1-33.0
KSK-.999	3.5-18.3	4.7-26.0	6.0-32.0	7.1-36.6	7.1-41.0	8.9-44.3	8.9-47.2	8.9-53.1	8.9-56.0	8.9-59.0	11.8-62.0

KSK - PLASTIC FLOWMETER AND SWITCH

📍 Ordering Information

Order Numbers for Standard Types

Range Water GPM	Max. Press. Drop PSI	Measuring Tube Material			Measuring Scale	Fittings	Switch Option
		Trogamid	Polysulfone	PVDF			
0.006-0.05	0.07	KSK-1015...	KSK-2015	KSK-3015	Water Scale G=GPM water H=LPH water M=LPM water Air Scales (see above table)	For KSK-X015 to X100 P10=Polypro, 3/8" NPT Female K10=PVC, 3/8" Glue Socket T10=PVC, 3/8" NPT Female V16=PVDF Butt Weld 16mm OD	00=Without Switch S0=1N/O Reed Sw. SS=2N/O Reed Sw. C0=1N/C Reed Sw. CC=2N/C Reed Sw. EO=1NPN Switch EE=2NPN Switches
0.01-0.10	0.07	KSK-1025...	KSK-2025	KSK-3025			
0.02-0.20	0.07	KSK-1050...	KSK-2050	KSK-3050			
0.04-0.44	0.07	KSK-1100...	KSK-2100	KSK-3100			
0.035-0.35	0.07	KSK-1080	KSK-2080	KSK-3080	0S= 0 PSIG	For KSK-X080 to X200 P15=Polypro, 1/2" NPT Female K15=PVC 1/2" Glue Socket T15=PVC 1/2" NPT Female V15=PVDF, 1/2" (20MM) Butt Weld IN1=Brass, 1/2" NPT Female AN1=Brass, 1/2" NPT Male AN3=316 SS, 3/4" NPT Male IN2=316 SS, 1/2" NPT Female AN2=316SS, 1/2" NPT Male	
0.06-0.66	0.07	KSK-1150	KSK-2150	KSK-3150	1S=15 PSIG		
0.08-0.8	0.07	KSK-1200	KSK-2200	KSK-3200	2S=30 PSIG		
					3S=45 PSIG		
					4S=60 PSIG		
					5S=75 PSIG		
					6S= 85 PSIG		
					7S=100 PSIG		
					8S=115 PSIG		
					9S=130 PSIG		
0.13-1.3	0.12	KSK-1300	KSK-2300	KSK-3300	Z=145 PSIG	For KSK-X300 to X999 P25=Polypro, 1" NPT Female K25=PVC, 1" Glue Socket T25=PVC, 1" NPT Female V25=PVDF, 1" (32MM) Butt Weld	
0.22-2.2	0.12	KSK-1500	KSK-2500	KSK-3500			
0.44-4.4	0.12	KSK-1999	KSK-2999	KSK-3999			

KSK - PLASTIC FLOWMETER AND SWITCH

↔ Dimensions

Dimensions (with PVC Glue Socket, Female NPT and PVDF Butt Weld)					
Model	DN	da	L	L1	L2
KSK..015..	3/8"	1/2"	6.5	6.7	7.8
KSK..025..	3/8"	1/2"	6.5	6.7	7.8
KSK..050..	3/8"	1/2"	6.5	6.7	7.8
KSK..080..	1/2"	3/4"	7.3	7.5	8.8
KSK..100..	3/8"	1/2"	6.5	6.7	6.5
KSK..150..	1/2"	3/4"	7.3	7.5	8.8
KSK..200..	1/2"	3/4"	7.3	7.5	8.8
KSK..300..	1"	1-1/4"	7.9	8.1	9.8
KSK..500..	1"	1-1/4"	7.9	8.1	9.8
KSK..999..	1"	1-1/4"	7.9	8.1	9.8

Dimensions (with Special Thread Fittings in Brass or Stainless Steel)					
Model	L	L2	Female	Male	SW
KSK..015..	6.5	-	-	-	-
KSK..025..	6.5	-	-	-	-
KSK..050..	6.5	-	-	-	-
KSK..080..	7.3	9.6	1/2" NPT	1/2" or 3/4" NPT	36 mm
KSK..100..	6.5	-	-	-	-
KSK..150..	7.3	9.6	1/2" NPT	1/2" or 3/4" NPT	36 mm
KSK..200..	7.3	9.6	1/2" NPT	1/2" or 3/4" NPT	36 mm
KSK..300..	7.9	-	-	-	-
KSK..500..	7.9	-	-	-	-
KSK..999..	7.9	-	-	-	-

